



Patented

Room 1-11K,jindi mingjin ,Yu Heng Road,FuTian District,ShenZhen,PRC

Tel: 0755 - 8354 6778 Fax: 0755 - 8354 6776

[Http://www.xxkg.com](http://www.xxkg.com)

Technical Data Sheet

360° infrared tip over switch

TS-IR01

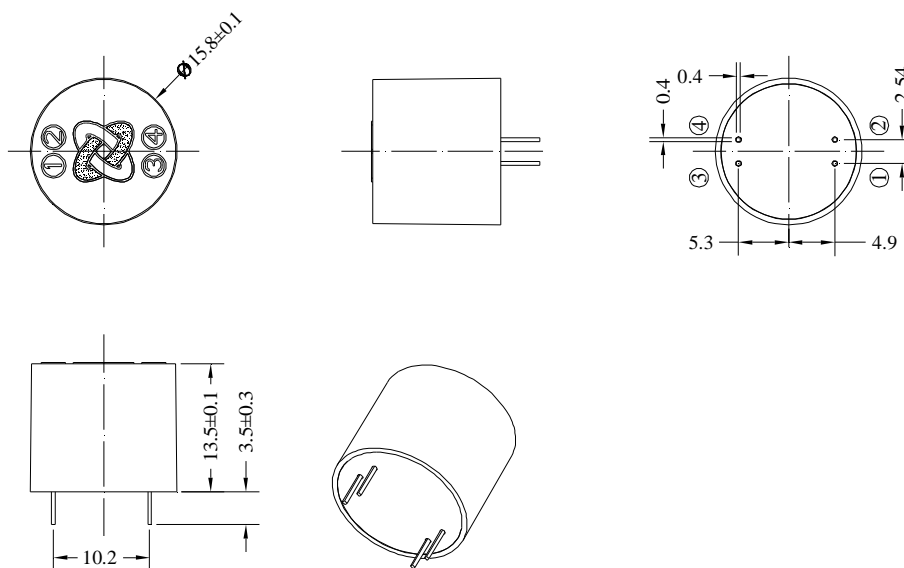
Features

- | High reliability , Low cost
- | High precision of tip over action angles
- | With a high radiant intensity infrared LED
- | With a fast response time and high sensitivity phototransistor
- | Conforms to the safety standard
- | This product itself will remain with in RoHS compliant version

Applications

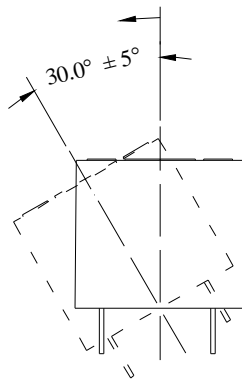
- | Heaters, Electrical Irons
- | Fans, Air Purifiers
- | Humidifiers, Cooling Fans, Air Conditions
- | Other appliances which need the tip over protected

Package Dimensions

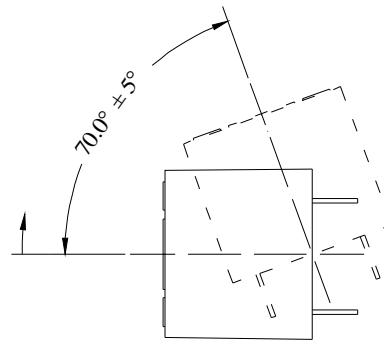


- Notes:**
1. All dimensions are in millimeters
 2. Tolerances unless dimensions ± 0.25 mm

Action Angles



Tip over action angle: $30^\circ \pm 5^\circ$



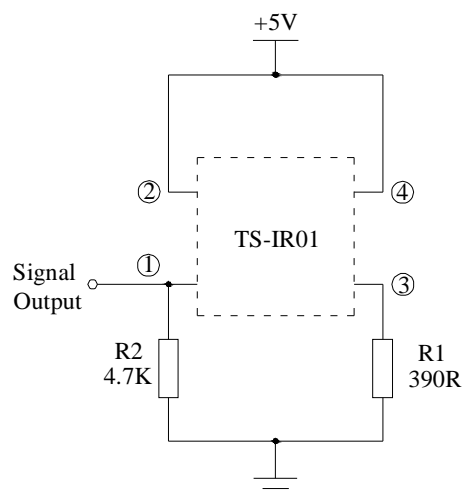
Recover action angle: $70^\circ \pm 5^\circ$

- Notes:**
1. The switch has 360° the full radial direction tip over detect
 2. Tip over action angle is $30^\circ \pm 5^\circ$ in every radial direction
 3. Recover action angle is $70^\circ \pm 5^\circ$ in every radial direction

Uses and tests

Connect the tip over switch into below circuit. Signal will be used as a sensor output to the MCU I/O port. When detected the change of Signal Output value, MCU will release some orders to do some corresponding actions to protect the unit.

The typical application circuit with power supplier DC 5V show as below:



DC 5V application typical circuit

Technical Data Sheet

360° infrared tip over switch

TS-IR01

Below table show the parameters (Ta=25°C)

Switch status	Output of Signal(V)	Value	Total Current(mA)	Power Consumption(mW)
Erect	< 0.1	0	<12	<60
Tip Over	> 4.6	1	<12	<60

Absolute Maximum Ratings (Ta=25°C)

Parameter	Symbol	Rating
Operating Temperature	T _{opr}	-25°C-85°C
Storage Temperature	T _{stg}	-40°C-85°C
Soldering Temperature	T _{sol}	260°C
Life	T	50,000 h

Packing Quantity Specification

100Pcs/Tray, 10Tray/Canton
